

Plinth | Medical



Model 505 5-section Couch

Models: 505E & 505H

USER MANUAL

Contents

1. Introduction	3
General Warnings	3
2. Installation	4
Adjustable Foot	4
Power Supply	5
Lifting and Moving	5
3. General Operation	6
Electric Operation	6
Manual Tilt Section	7
Manual Head & Foot Sections	7
Retractable Castor Operation	8
4. Accessories Operation	8
Paper Roll Holder	8
Hand switch (multi motor)	8
Foot switch (single motor)	9
Foot switch (multi motor)	9
5. Cleaning and Decontamination	10
6. Troubleshooting	11
7. Maintenance	12
8. Guarantee and Service	13
9. Technical Specification	14
10. Revisions to Manual	15

Plinth Medical Ltd is an ISO Audited company to ISO9001:2008



Our products are CE marked in conformity with the EC Directive MDD 93/42/EEC

1. Introduction

Thank you for purchasing a product from Plinth Medical Ltd. We use the highest quality components and manufacturing techniques to ensure that our products are simple to use and will last a long time. It is recommended that all users read and retain this User Manual for reference.

Throughout this manual notice is made of a Warning and Caution system to highlight to the user practices, procedures or conditions that should either not be allowed to happen or happen with caution.

Warnings are in a box with bold type and identify potential hazards, procedures or conditions which could result in death, injury or serious damage.

Cautions are in a box with plain type and identify conditions or procedures where if caution is not taken it may result in damage or failure of equipment.

General Warnings

WARNING

Maximum Load (SWL) is 250kg distributed evenly.

Do not use flammable gasses in proximity to an electrically operated couch.

Do not concentrate weight on either side or either end of the couch.

Use only accessories approved for use with this couch.

Disconnect power supply before moving couch.

Children must be adequately supervised in the presence of the couch.

Do not allow children to play with the couch at anytime.

2. Installation

Although this couch comes complete and is virtually ready to use it is important to remove all packaging and read the following before use.

Retractable Castors

The castors can be operated from either side of either end of the couch. Press the pedal down to engage the castors and lift the pedal to retract the castors.

Please refer to the Operation section on page 7 for further details.

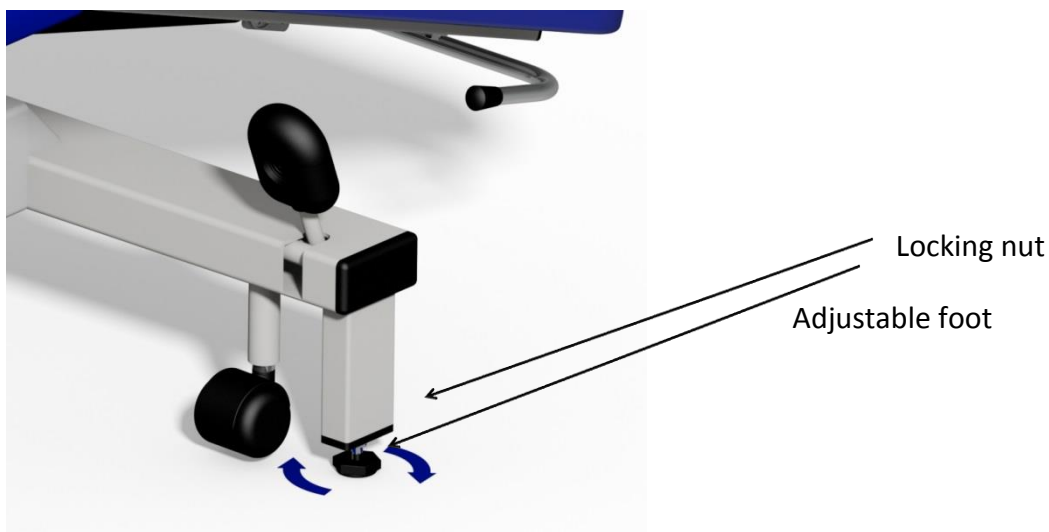
WARNING

Castors must be retracted before the couch is used and whilst patients get on or off the couch.

Care should be taken to ensure patients do not trip over any part of the couch when getting off.

Adjustable Foot

Fitted to the head end of the couch is an adjustable foot. This is designed to stabilise the couch and must be set before use. The foot should be wound in/out until it is firmly in contact with the floor whilst the castors are retracted. Check that the couch is firm and stable and then adjust the lock nut back up against the couch leg to lock the adjustable foot in position. Incorrect adjustment will result in the couch being unstable and the wheel pedals difficult to operate.



Power Supply (electric version only)

Ensure that hand or foot switch leads are clear of the moving parts of the couch before operation. Connect the couch to a normal domestic type power supply observing the following notes.

WARNING

Ensure that the mains lead, plug and socket are in good condition before connecting the equipment.

Ensure that the mains cable has a clear run and is not stretched when connected and that no one can fall over the cable.

CAUTION

When couch is not in use switch off power supply.

Lifting and Moving

Should the couch need to be moved or lifted (for example to remove it from its packaging) then a minimum of two people are required. The couch must only be lifted by the metal base frame near the wheels. If the couch is upside down then it may be carried by holding it underneath the upholstery. When turning the couch over, please make sure the frame and upholstery are supported at all times, otherwise damage may occur to the upholstery and gas springs.

CAUTION

Under no circumstances lift the couch by the upholstery or top sections as damage will occur to the gas spring mechanisms.

3. Operation

Plinth Medical offers 2 models of 505; 505E being the electric version and 505H being the hydraulic version.

Electrical Operation General

WARNING

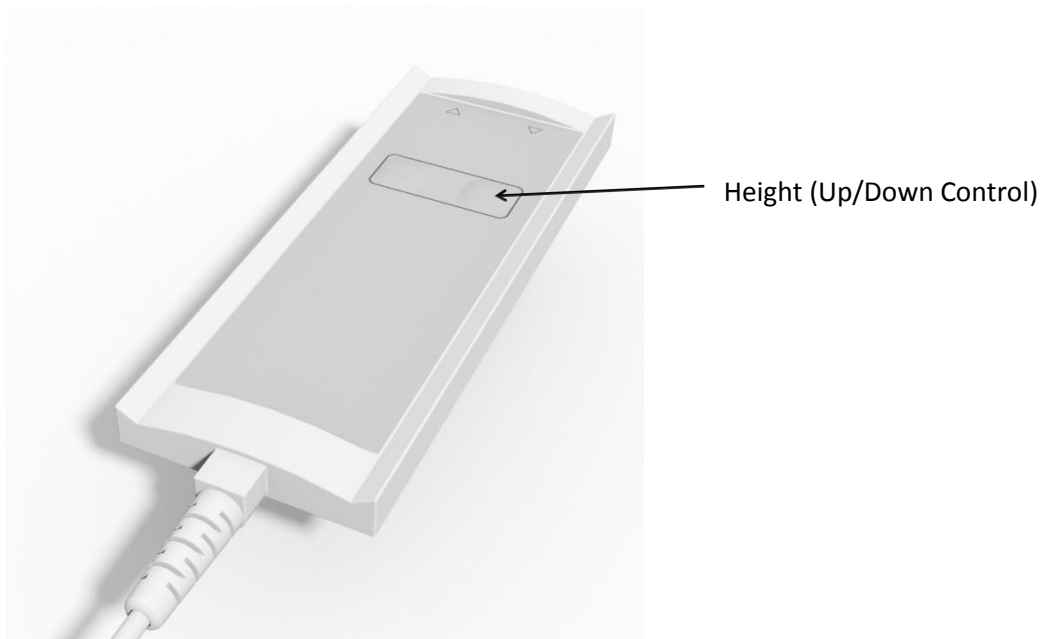
Safely position patient before operating any functions.

Position the switch in a place where it is clear of the moving parts of the couch and where accidental operation is not possible.

Ensure that all electrical cables are clear of the moving parts of the couch.

Electrical Operation (hand single motor)

For model 505E electric couches the standard hand switch fitment is 2 button handset as shown below



Electrical Operation (foot)

As an option this couch may be supplied with a foot switch to operate the electrical functions. It will operate in the same way as the hand switch but must be placed on the floor and operated by foot. For further information see page 10.

Manual Tilt Function

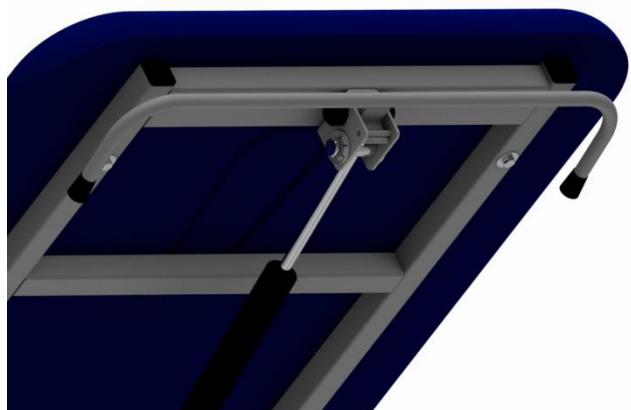
The 505 couch has a manual tilt function. This is operated by a lever located under the seat as shown below.



Press the lever to adjust the middle section of the couch to ensure patient comfort. Release the lever to secure in place.

Manual Head & Foot Sections

For versions that do not have a motorised head or foot sections. The operation is via a gas spring mechanism triggered with a lever as shown below:

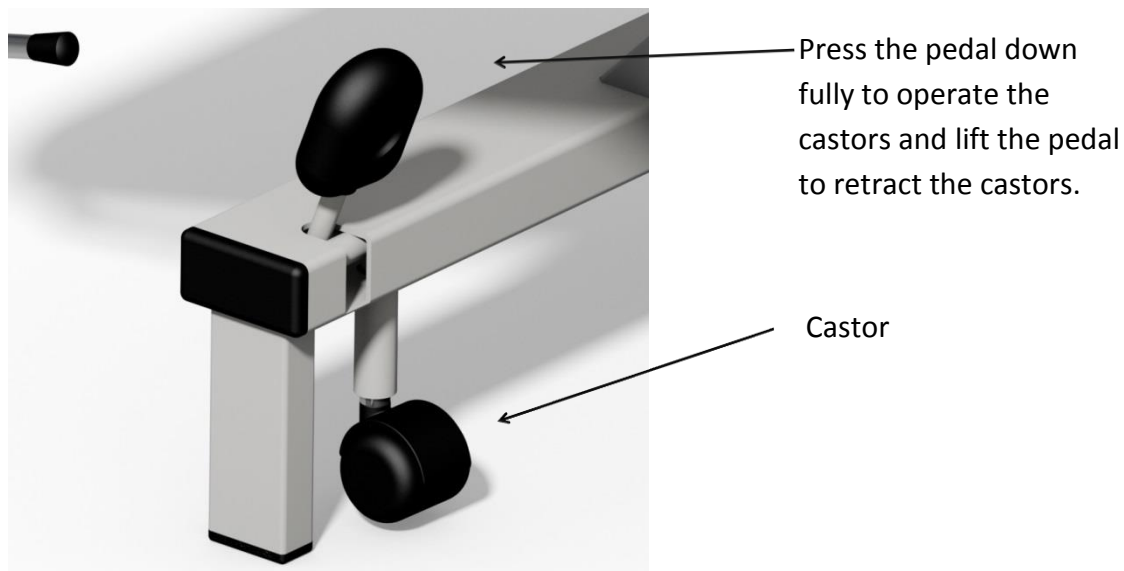


Press the lever to adjust the section. Support the section whilst adjusting and release the lever to lock in the desired position.

Retractable Castor Operation

The castors fitted to this couch are 50mm retractable castors. They are operated individually at each corner of the couch via the wheel pedals.

NOTE – the castors are not designed for patient transport.



WARNING

Castors must be locked before the couch is used and whilst patients get on or off. Disconnect and coil electrical leads and switch away from the couch mechanism prior to moving the couch.

4. Accessories Operation

A range of accessories are available as options to expand the use of the couch. The standard recommended accessories are detailed below. Many of these can be fitted retrospectively if required.

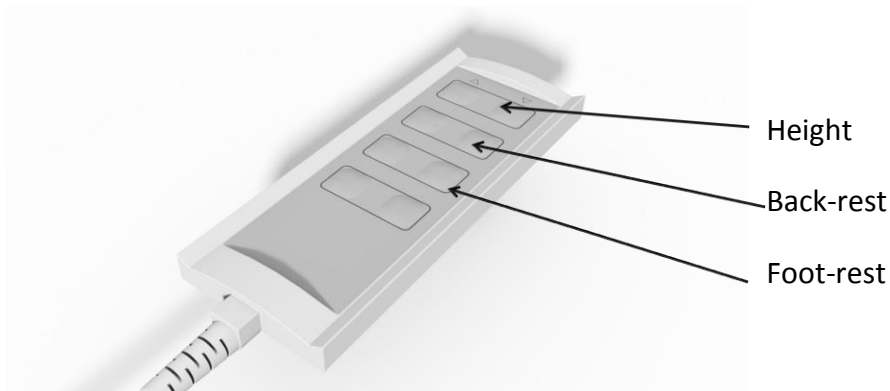
Paper Roll Holder



Paper roll is replaced by removal of one or the other of the plastic knobs, sliding the bar partially through the leg of the holder and then fitting the tube over the bar. Refit in the reverse order.

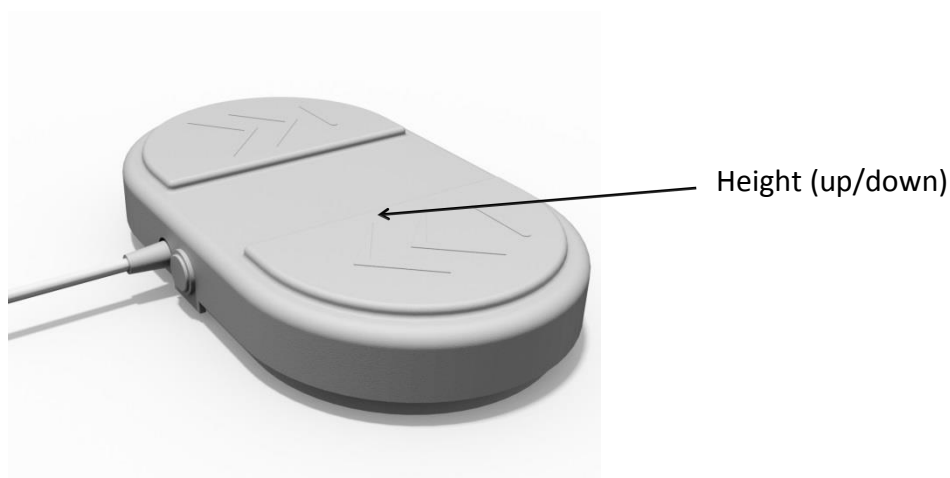
Hand switch Operation (optional multi motor)

For model 505E couches fitted with optional motorised back-rest and or motorised foot-rest the following hand switch is used.



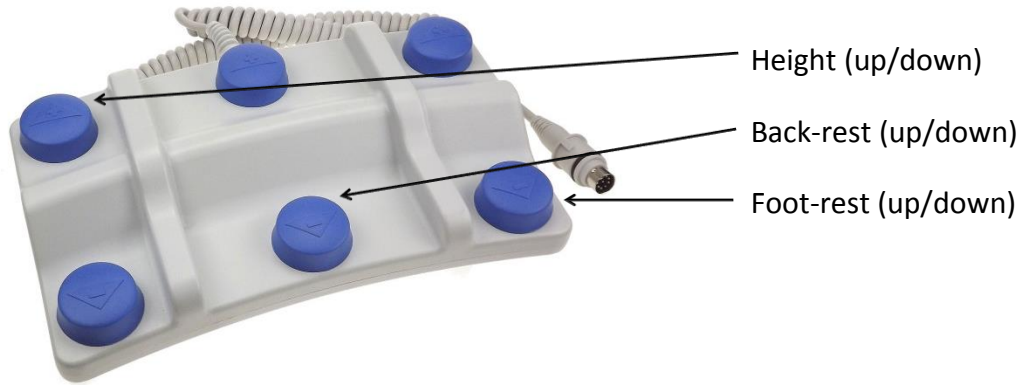
Foot switch Operation (single motor)

An optional fitment foot switch may be specified for the couch and the switch fitted will look similar to the one pictured below.



Foot switch Operation (multi motor)

An optional fitment foot switch may be specified for the couch and for couches fitted with optional motorised back-rest and or foot-rest the switch fitted will look similar to the one pictured below.



5. Cleaning and Decontamination

WARNING

If contamination is suspected then decontaminate the couch before use.

Torn or damaged upholstery should be replaced immediately.

CAUTION

Do not use Alkalis or other organic solvents for routine cleaning.

Always cover the vinyl with paper towelling or couch covers if it can come into contact with bare skin.

Cleaning

Always wear suitable protective clothing before carrying out this procedure. Disconnect the mains supply to the couch and move it to a suitable cleaning area and lock the castors.

Step 1. Using warm water and soap on a damp cloth, carefully wipe the couch over from top to bottom. Take great care around electrical components.

Step 2. Wipe the couch carefully from top to bottom using a clean damp cloth and soap free water.

Step 3. Carefully dry the couch from top to bottom with clean lint free paper towels.

Decontamination

To decontaminate the couch repeat the above steps but using a dilute solution of Hypochlorite and warm water (10,000ppm) instead of warm water and soap. At the end of the procedure discard all cleaning materials in a safe manner and wash hands thoroughly.

6. Troubleshooting

In the unlikely event of the couch failing to operate and having carried out the normal practical fault finding steps below then please contact our Customer Service Team on +44 (0)1449 767887 or email customerservice@plinthMedical.com. **Please have the serial number to hand before making contact so we can help you more efficiently.**

Fault	Possible Cause	Remedy
Couch is unstable	Uneven floor	Move couch to flat floor
	Adjustable foot	Check presence, condition and adjustment of foot
All motors will not work (505E only fitted with optional motor back or foot)	Power disconnected	Connect power supply
	Fuse Blown	Replace fuse in plug
	Hand/ Footswitch disconnected	Check the switch is fully connected to the motor
One motor will not work but others working (503E only fitted with optional motor back or foot)	Lead from height motor/control box not connected to slave motor	Check and connect all leads
	Fault with switch	Replace switch
	Fault with control box	Replace control box
	Fault with motor	Replace motor
Motor sinks (505E only)	Switch permanently operated	Unplug and re-connect switch
	Motor fault	Replace motor
Hydraulic pump will not work (505H only)	Pump fault	Replace pump
Hydraulic pump sinks (505H only)	Valve stuck	With couch at max height pump pedal for a further 20-25 strokes to clear valve
Backrest will not work (manual versions)	Gas spring incorrectly adjusted (not being triggered)	Rotate gas spring until the pin is just in contact with the lever (2-3mm play required)
	Gas spring faulty	Replace gas spring
Backrest sinks under load (manual versions)	Gas spring incorrectly adjusted (permanently triggered)	Rotate gas spring until the pin is just in contact with the lever (2-3mm play required)

7. Maintenance

Plinth Medical Ltd products are designed to be maintenance free. However keeping your Plinth products clean and regularly checked will assist in prolonging their working life. The following is a guide of simple checks that the user can carry out on a six monthly basis. We would also recommend an annual service visit by a Plinth Medical trained engineer.

WARNING

Disconnect couch from electrical supply before commencing any of the following checks.

Examine the couch for any signs of damage. Pay particular attention to all nuts, bolts and fasteners to check they are present and tight but not over tight.

Upholstery bolts should all be checked (each section has between 2 and 6 No. M6 bolts), they should all be present and tight.

Check gas struts (if fitted) and ensure that they operate through the full range of movement and lock fully.

Check hinge pins are lubricated.

Check main couch nylon pivot bearings are lubricated sufficiently.

Examine mains and switch cables for any damage, cuts, kinks, abrasions etc. These must be replaced if necessary.

Check mains lead, switch cables and slave motor leads are all correctly and securely attached.

Check correct plug fuse is fitted (5A).

WARNING

Any electrical checks or work other than the visual inspection above must be performed by a qualified electrician.

Do not connect BLUE or BROWN wires to the earth terminal of a plug.

8. Guarantee and Service (UK only)

Plinth Medical Ltd offer a 5 year parts guarantee on all 500 Range products delivered from January 2013 and a lifetime frame guarantee. The only exclusion to this guarantee is for negligent damage or damage to upholstery coverings. This guarantee does not require registration of the product as we can trace it from its serial number, however in the event of the serial number being removed, missing or unreadable then this may void the guarantee. These terms do not affect your statutory rights.

In addition to the above Plinth Medical Ltd can offer both extended warranties and service contracts. For further information about either of these please contact:

Customer Service
Plinth Medical
Barric Lane
Occold
Eye
Suffolk
IP23 7PX
Tel: 01449 767887
Mail: customerservice@plinthMedical.com

In the event of returning a product or part to us then please follow the instructions for cleaning under section 5 before enclosing it in suitable packaging and returning it to the above address. In addition please ensure there is a statement confirming that it has been decontaminated and what the fault is along with relevant contact details.

Worldwide

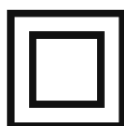
Please contact the distributor you purchased the couch from for service and support in your country. If you are unable to do so then please contact us in the UK and we will refer you to our local representative.

9. Technical Specifications

	505H	505E (1 motor)	505E (2 motor)
Head Length (cm)	63	63	63
Seat Length (cm)	56	56	56
Foot Length (cm)	63	63	63
Width (cm)	63	63	63
Overall Length (cm)	184	184	184
Height Range (cm)	47-98	47-98	47-98
Max Working Load	250kg	250kg	250kg
Control	Pedal	Hand switch	Hand switch
Hydraulic Pump	Roemheld	N/A	N/A
Motor(s)	N/A	Linak LA31 x 1	Linak LA31 x 2
Control Box	N/A	Linak CB09	Linak CB09
Current	N/A	1.5A	1.5A
Power	N/A	360W	360W
Mains Plug Fuse	N/A	5.0A x 1	5.0A x 1
Internal Fuse	N/A	1.5A x 1	1.5A x 1
System Voltage	N/A	24v	24v
IP Rating	N/A	IPX4	IPX4
Motor(s)	N/A	Linak LA31 x 1	Linak LA31 x 2
Control Box	N/A	Linak CB09	Linak CB09
Current	N/A	2.7A	2.7A
Power	N/A	360W	360W
Mains Plug Fuse	N/A	5.0A x 1	5.0A x 1
Internal Fuse	N/A	3.0A x 1	3.0A x 1
System Voltage	N/A	24v	24v
IP Rating	N/A	IPX4	IPX4

IEC 601-1 Electrical Safety Classification

All electric models are double insulated Type B equipment and marked as such.



Double Insulated



Type B Equipment

10. Revisions to Manual

Pages	Issue No	Name	Date
All	Manual – 01	Martin Lankester	13.06.2017

Plinth Medical
Barric Lane
Occold
Eye
Suffolk
IP23 7PX
ENGLAND

Plinth Medical Ltd In association with Plinth 2000 are an ISO Audited company to
ISO9001:2008



Our products are CE marked in conformity with the EC Directive MDD 93/42/EEC